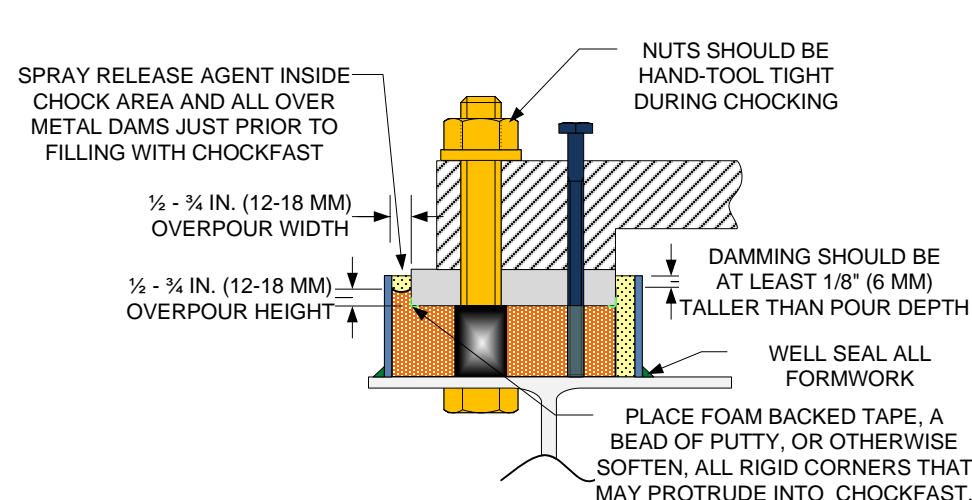
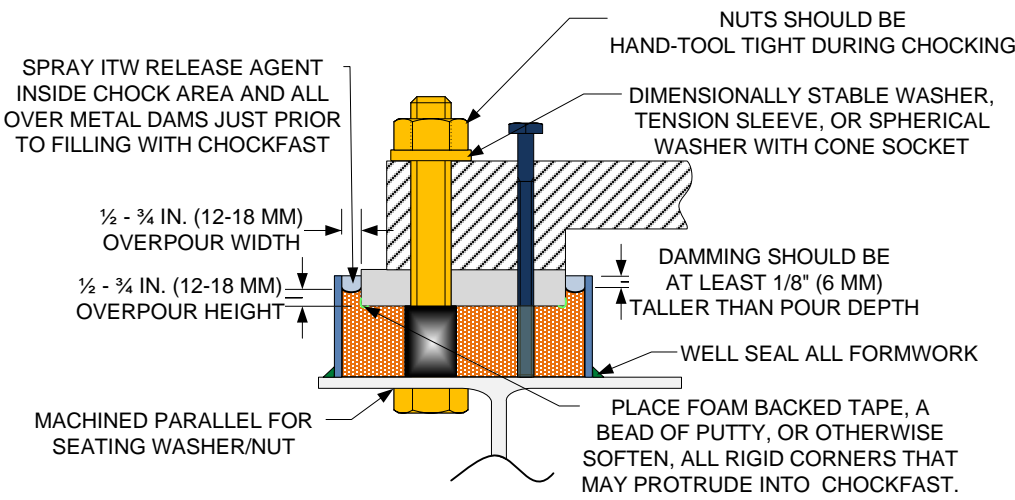


**GENERAL CHOCKING CONFIGURATION WITH SOLE PLATE/
MOUNTING FOOT – OPTION A**

**GENERAL CHOCKING CONFIGURATION WITH SOLE PLATE/
MOUNTING FOOT – OPTION B**



SECTION A-A

SECTION B-B

ITW Performance Polymers	DESCRIPTION	CUSTOMER	DRAWN BY	DWG	DATE	SCALE	REV
	GENERAL RECOMMENDATIONS FOR SOLE PLATE MOUNTING	CHOCKFAST USERS	CBME	612-2	4-OCT-23	1:2	0

ITW PERFORMANCE POLYMERS PROVIDES THE INFORMATION HEREIN ONLY AS A GOOD FAITH GUIDE, AND IT IS NOT AS A SUBSTITUTE FOR THE CUSTOMER'S OWN TESTING OR CALCULATIONS. THE CUSTOMER ASSUMES ALL RESPONSIBILITIES FOR DETERMINING THE SUITABILITY OF THE INFORMATION, OPINIONS, AND OUR PRODUCTS AS TO THE APPROPRIATE USE IN THEIR APPLICATION. THE ENCLOSED INFORMATION DOES NOT CREATE ANY WARRANTY, EXPRESS OR IMPLIED, INCLUDING ANY WARRANTY OR FITNESS FOR ANY PARTICULAR PURPOSE OR APPLICATION. UNDER NO CIRCUMSTANCES SHALL ITW PERFORMANCE POLYMERS BE LIABLE FOR ANY DAMAGES, WHETHER DIRECT, INDIRECT, INCIDENTAL OR CONSEQUENTIAL DAMAGES. OUR PRODUCTS ARE INTENDED FOR USE AND SALE TO INDUSTRIAL AND COMMERCIAL CUSTOMERS.