



ITW Performance Polymers
30 Endicott Street
Danvers, MA 01923
(855) 489-7262

Technical Data Sheet

Permatex® Ultra Blue® RTV Silicone Gasket Maker

AAM Revised 06/09

PRODUCT DESCRIPTION

Permatex® Ultra Blue® RTV Silicone Gasket is a single component, room temperature vulcanizing gasketing compound designed to provide reliable “formed-in-place” gaskets for mechanical assemblies. This material cures on exposure to moisture in the air to form a tough, flexible, silicone rubber gasket. The product resists aging, weathering and thermal cycling without hardening, shrinking or cracking. Designed for superior bonding properties to oil contaminated metals as compared to other formed-in-place gaskets, and maintains outstanding oil resistance. OEM Specified. NSF White Book registered.



Nonfood Compounds
Program Listed (P1)
(132541)

PRODUCT BENEFITS

- Sensor safe, non-corrosive
- Superior adhesion and flexibility
- Improved oil resistance
- Replaces most cut gaskets
- Low odor
- Can be used as a gasket maker or dressing
- Non-flammable, Non-toxic

TYPICAL APPLICATIONS

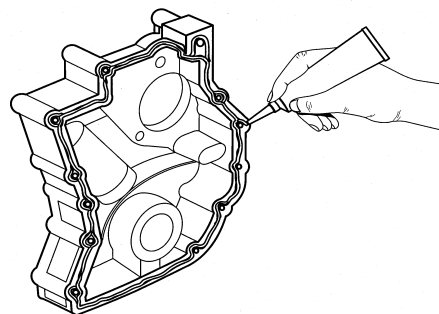
- Timing gear covers
- Transmission pans
- Valve covers
- Oil pans

DIRECTIONS FOR USE

For assembly as form-in-place gasket

1. Remove all previous material from mating surfaces. Permatex® Gasket Remover or Silicone Stripper is recommended for most materials.
2. For best results, clean and dry all surfaces with a residue-free solvent, such as Permatex® Brake and Parts Cleaner.
3. Cut nozzle to desired bead size, 1/16” to 1/4” in diameter. A 1/8” bead is usually sufficient for most applications.
4. Remove cap, puncture tube or cartridge seal and attach extension nozzle.
5. Apply a continuous 1/16 inch to 1/8 inch bead of silicone to one surface, first tracing the internal areas of the gasket configuration, then all surrounding bolt holes as

shown in drawing:



6. Assemble parts immediately while silicone is still wet.
7. Finger tighten flange only until material begins to seep out the sides of the flange.
8. Allow to set for at least two hours and re-torque one quarter to one half turn.
9. For best results, allow to cure overnight.

For assembly as gasket dressing

1. Repeat steps 1 thru 4 as in previous section.
2. Apply a thin film of silicone to one surface to be sealed.
3. Place the pre-cut gasket onto silicone film.
4. Apply a second thin film to pre-cut gasket surface.
5. Remove any excess and assemble parts immediately.
Note: Product not recommended for use as a cylinder head gasket or head gasket sealant.

Instructions For PowerBead™

1. Clean and dry all flange surfaces to be sealed.
2. Remove black cap from top of extension nozzle.
3. Turn nozzle extension one complete turn (360°) counterclockwise.
4. Depress finger trigger and apply a continuous 1/16 inch to 1/8 inch PowerBead™ to one surface.
5. Assemble parts immediately while silicone is still wet.
6. Finger tighten flange only until material begins to seep out the sides of the flange.
7. Allow to set for at least two hours and re-torque one quarter to one half turn.
8. For best results, allow to cure overnight.
9. To close, turn extension nozzle clockwise until tight (about one full turn). Wipe off excess material from nozzle and replace black cap.

NOT FOR PRODUCT SPECIFICATIONS.
THE TECHNICAL DATA CONTAINED HEREIN ARE INTENDED AS REFERENCE ONLY.
PLEASE CONTACT ITW PERFORMANCE POLYMERS TECHNICAL SERVICE DEPARTMENT FOR ASSISTANCE AND RECOMMENDATIONS FOR YOUR SPECIFIC APPLICATION.
ITW PERFORMANCE POLYMERS 30 ENDICOTT STREET, DANVERS, MA 01923 PHONE (855) 489-7262

Technical Data Sheet Ultra Blue® RTV Silicone Gasket Maker
For safe handling information on this product, consult the
Material Safety Data Sheet, (MSDS).

Storage of Unused Product

1. Create a "Silicone Plug" by allowing excess material to extend beyond the extension nozzle or aerosol tip to cure, sealing and protecting the remaining product from moisture. For reuse, simply remove the cured product from the tip.
2. For PowerBead™ dispensers, you may store remaining product using either the above "silicone plug" method or using the included plastic cap.

Cleanup

1. Remove uncured product from parts and hand-tools with Permatex® Fast Orange® Wipes or Fast Orange® Hand Cleaners. If skinned over, break film with a dry cloth to remove as much as possible. Remove the remaining material with Permatex® Gasket Remover.
2. Clean hands with a dry cloth or Permatex® Fast Orange® hand cleaner.

PROPERTIES OF UNCURED MATERIAL

	Typical Value
Chemical Type	Oxime silicone rubber
Appearance	Blue non-sag paste
Odor	Low odor
Specific Gravity	1.43
Viscosity	Thixotropic paste
Extrusion rate @ 25°C, (grams/min)	400
Flash Point °C (°F)	>93 (>200)

TYPICAL CURING PERFORMANCE

Permatex® Ultra Blue® No-Leak RTV Silicone Gasket cures on exposure to moisture in the air. The product dries tack free in two hours and fully cures in 24 hours. Cure times will vary with temperature, humidity and gap.

PERFORMANCE OF CURED MATERIAL

After 7 days at 25°C (77°F), 50% Relative Humidity

	Typical Values
Hardness (Shore A)	30
Elongation, %*	360
Tensile Strength, N/mm ² (psi)**	1.7 (240)
Gap Fill, inch	0.25

*Material will stretch 3.6 times its original length before breaking.

**Amount of force required to break material.

TYPICAL ENVIRONMENTAL RESISTANCE

Temperature Resistance	Typical Values
Continuous, °C (°F)	-54 to 204 (-65 to 400)
Intermittent, °C (°F)	-54 to 260 (-65 to 500)

Chemical / Solvent Resistance

The product retains effective properties in contact with automotive fluids, such as motor oil, transmission fluids, alcohol and antifreeze solutions. Note: Not recommended for parts in contact with gasoline.

GENERAL INFORMATION

This product is not recommended for use in pure oxygen and/or oxygen rich systems and should not be selected as a sealant for chlorine or other strong oxidizing materials.

ORDERING INFORMATION

Part Number	Container Size
81724 (77BR)	3.35 oz. tube, carded
81725 (77C)	13 oz. Cartridge
85519	9.5 oz. PowerBead

STORAGE

Products shall be ideally stored in a cool, dry location in unopened containers at a temperature between 8° and 28°C (46° and 82°F) unless otherwise labeled. Optimal storage is at the lower half of this temperature range. To prevent contamination of unused product, do not return any material to its original container.

NOTE

The data contained herein are furnished for information only and are believed to be reliable. We cannot assume responsibility for the results obtained by others over whose methods we have no control. **Permatex, Inc. specifically disclaims all warranties expressed or implied, including warranties of merchantability or fitness for a particular purpose, arising from sale or use of Permatex, Inc. products and disclaims any liability for consequential or incidental damages of any kind, including lost profits.** This product may be covered by one or more United States or foreign patents or patent applications.